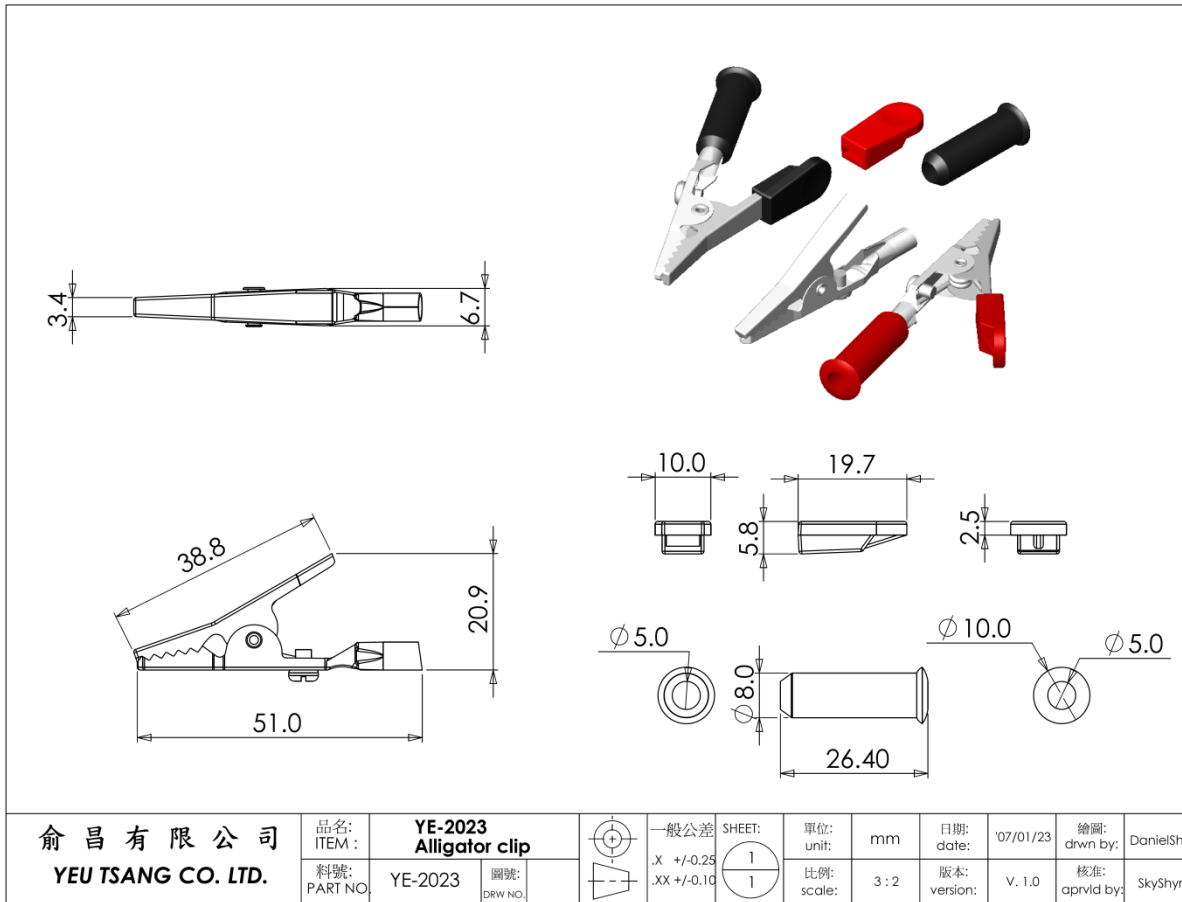


YE-2023 ALLIGATOR CLIP



MATERIALS :

1. MAIN BODY :
STEEL NICKEL PTD.
2. SHELL COVER :
PE
3. SPRING:
STEEL NICKEL PLATED